

# M.B.M MODEL ENGINEERING SUPPLIES

IMPORTERS & SUPPLIERS OF MODEL ENGINEERING EQUIPMENT

Visit Our Web Site : [www.mbmmodelengineering.com](http://www.mbmmodelengineering.com)

Telephone : 0274 420130

E-mail : [mbmmodelsupplies@gmail.com](mailto:mbmmodelsupplies@gmail.com)

**All prices are current as of February 01st 2024.**

**Due to the current economic climate there may be delays in shipping from our suppliers and fluctuations to cost of items and shipping charges. Thank you for your support and understanding at this time.**

**TERMS :** All prices are in N.Z. dollars, excluding postage and packaging. Post and packaging will be billed separately when the goods are sent, being a variable due to size and weight. We reserve the right to alter the prices shown in this catalogue in the event of fluctuations in labour and material costs, without notice.

**PAYMENT :** Payment is to be made at the time of placing your order and may be made by cash, internet bank transfer, EFT-POS, Visa, MasterCard - credit card details to be supplied at the time of order. Goods will be ordered, or if in stock dispatched upon receiving payment.

We look forward to your custom and hope we can meet your requirements.

This stock list is being added to constantly, so please enquire if your are wanting a different type of fitting.

## FITTINGS AVAILABLE:

<b>INJECTORS :</b>	12 oz Horizontal 5/32 pipe	\$185.00
	25 oz Horizontal 3/16 pipe	\$190.50
	40 oz Horizontal 1/4 pipe	\$190.50
	60 oz Horizontal 1/4 pipe	\$220.00
	80 oz Horizontal 5/16 pipe	\$240.00

Note: 20 oz/min = 1 pint/min

## **EJECTORS :**

3/16 steam in, 1/4 vacuum, 1/4 exhaust pipe, check valve	\$150.00
1/8 steam in 5/32 vacuum, 3/16 exhaust pipe, check value	\$150.00

## **PRESSURE GAUGES :**

Ø1/2" 0-80 PSI	\$89.50
Ø3/4" 0-60 P.S.I	\$90.50
Ø1" 0-100 P.S.I	\$90.75
Ø3/4" or Ø1" 0 -120 P.S.I.	\$85.00
Ø3/4" or Ø1" 0 - 150 & 0 - 200 P.S.I	\$90.75
Ø1-5/8 0-100 P.S.I	\$95.50
Ø1-5/8" 0 - 160 or 0 - 300 P.S.I Flanged back	\$120.50
Ø2" 0 -160 or 0 - 300 P.S.I.	\$98.65

Other gauge sizes are available on request

1/8 BSP nut and cone for Ø1-5/8 and Ø2" gauges	\$18.25
--	---------

**VACUUM GAUGES:**

Ø3/4" 0-30 Hg	\$96.50
Ø1" 0-30 Hg	\$99.50
Ø1" flanged back 0-30 Hg	\$99.50
Ø1-5/8" flanged back 0-30 Hg	\$99.75
30" Hg = 14.7 p.s.i.	
Available in flanged back : 3/4", 1", 1 5/8" standard	

**ANGLE FEED CHECK VALVES : 90°**

Or non-return valves are fitted to boilers so that they may be filled with water whilst in service.

1/8 pipe,	1/4 x 40T	\$48.50
3/16 pipe,	5/16 x 32T	\$53.00
5/32 pipe,	1/4 x 40T	\$62.00
1/4 pipe,	3/8 x 32	\$58.25
1/4 pipe	1/8 BSP	\$74.55
5/16 pipe	1/4 BSP	\$125.75

**IN LINE CHECK VALVE:**

1/8 Pipe to pipe	\$45.50
5/32 Pipe to pipe	\$46.25
3/16 Pipe to pipe	\$47.85
1/4 Pipe to pipe	\$53.75

**OIL INLINE NON RETURN VALVE WITH SPRING:**

1/8" Pipe to pipe	\$50.00
5/32" Pipe to pipe	\$48.50
3/16" Pipe to pipe	\$53.75

**STEAM VALVES : GLOBE VALVES :**

Suitable for back head fittings, okay for water, Come with pipe cones on both ends.

3/16 x 40 - 3/32 pipe 90°	\$75.00
1/4 x 40 - 1/8 pipe 90°	\$82.50
1/4 x 40 - 5/32 pipe 90°	\$73.50
5/16 x 32 - 3/16 pipe 90° globe valve	\$78.00
3/8 x 32 - 1/4 pipe 90° globe valve	\$84.00
3/32 pipe to pipe 180°	\$78.00
1/8 pipe to pipe 180°	\$73.00
5/32 pipe to pipe 180°	\$73.00
3/16 pipe to pipe 180°	\$78.00
1/4 pipe to 1/4 pipe 180°	\$84.00

**STEAM VALVES : THREAD TO A MAINIFOLD:**

1/4 x 40 - 1/8 pipe 90°	\$59.70
5/16 x 32 - 3/16 pipe 90°	\$61.80
3/8 x 32 - 1/4 pipe 90°	\$64.75

**BLOWDOWN VALVES:**

1/4 x 40	\$42.20
5/16 x 26 or 32	\$54.00
3/8 x 26 or 32	\$55.50
1/2 x 26	\$57.75

## LUBRICATORS :

For connecting to a reciprocating part of an engine motion to pump oil into the steam supply pipe.

Ratchet pump <b>only</b> : Includes pump, ratchet and check valve, <b>without tank</b>	\$104.00
Ratchet type – complete with tank 1” sq tank or 1-1/4” sq tank	\$195.45 ea
Ratchet type - complete with tank 2” x 1-1/4” single output	\$235.00
Clutch type – complete with tanks 1” x 1”	\$192.75
3” or 4” Scale Foster lubricator Ratchet type	\$435.20 ea

## LUBRICATOR – DISPLACEMENT TYPE :

With filler cap, drain plug and control valve, are fitted between boiler and engine.

3/16 x 40, 2” long, Stuart Turner type	\$90.95
1/4 x 40, 2-5/8” long, Stuart Turner type	\$95.00

## OIL CUPS:

Open topped cups for lubrication of bearings, slides etc.

8 Ba x 3/16 diameter	\$11.88 each
6 Ba x 3/8 diameter	\$12.52 each
4 Ba x 7/16 diameter	\$14.52 each
2 Ba x 3/16 diameter hex body	\$9.46 each
2 Ba x 5/16 diameter	\$16.20 each

## DRIP FEED OILERS:

2 Ba thread 13mm diameter 50mm high	\$67.50 each
2 Ba thread 15mm diameter 45mm high	\$76.00 each

## PLUG TYPE DRAIN VALVES:

5/32 x 40	\$25.75 each
3/16 x 40	\$30.50 each
1/4 x 40	\$34.50 each
5/16 x 32	\$38.00 each

## PLUG TYPE DRAIN COCKS: SET OF 4, 2 LH and 2 RH

5/32 x 40	\$120.00 set
3/16 x 40	\$135.00 set
1/4 x 40	\$135.00 set

## STEAM OPERATED DRAIN COCKS :

3/16 x 40	\$125.00 per set of 4
1/4 x 40	\$125.00 per set of 4
3/8 x 26	\$175.00 per set of 4

## BRAKE VALVE - STEAM OR VACUUM :

Suitable for 1/8 or 5/32 pipe	\$245.00
-------------------------------	----------

## WHISTLE VALVE :

1/4 x40	\$46.75
---------	---------

**INJECTOR WATER COCKS :**

Air tight 'O' ring fitted complete with handle

3/16 pipe 90 degree on/off	\$87.00
1/4 pipe 90 degree on/off	\$95.00
5/16 pipe 90degree on/off	\$150.60

**WATER BY-PASS VALVE :**

Floor mounted 5/32 pipe	\$48.90 each
3/16 pipe	\$55.45 each

**WATER GAUGES:**

4mm glass 3/16x40T w/ blowdown	\$101.50
5 mm glass 1/4x40T “ “	\$101.50
6 mm glass 5/16x32T “ “	\$121.50
6 mm glass 3/8x32T “ “	\$121.50
7 mm glass 3/8x32T “ “	\$139.65
5mm glass, 3 cock, 1/4 x 40T, LH or RH	\$250.00
8mm glass, 3 cock, 3/8 x 32T, LH or RH	\$255.00

**WATER GAUGE GLASS:**

Plain Glass Ø5 & Ø6 x 150mm Length	\$3.00 each
Plain Glass Ø8 x 150mm Length	\$12.00 each
Red Line – 150mm Lengths	
Ø4, Ø5, Ø6, Ø7mm	\$18.45 each
Ø8, Ø9, Ø10mm	\$18.75 each
Ø12mm x 200mm	\$24.50 each
Ø14mm x 300mm	\$32.00 each

**HAND RAIL STANCHIONS :**

6 Ba Thread 7/16 long 1/8 Rail	\$3.70 each
4 Ba Thread 5/8 long 5/32 Ra	\$4.90 each
4 Ba Thread 7/16 long 5/32 rail	\$4.90 each
5 Ba Thread 5/8 long 1/8 rail	\$5.56 each

**WHISTLES :**

Traction engine type with lever valve.

With lever valve 4” scale, 1/8 BSP Stands 4 1/4” high	\$255.00
With lever valve 3” scale, 5/16 x 32 Stands 3 1/8” high	\$210.00
With lever valve 2” scale, 1/4 x 40 Stands 2 3/4” high	\$172.72
1-1/4 x 7” long chime whistle 3 tone, 1/8 pipe	\$196.00
Ø3/8 simple loco whistle 1/8 pipe	\$46.50
Ø1/2 and Ø 5/8 x 4.5” long simple loco whistle 1/8 pipe	\$70.00

**DOUBLE PIPE UNIONS:**

1/4 X 40 - 1/8 pipe	\$15.50
1/4 x 40 - 5/32 pipe	\$15.50
5/16 x 32 - 3/16 pipe	\$16.65
3/8 x 32 - 1/4 pipe	\$17.40

**SINGLE PIPE UNIONS :**

3/16 x 40 - 3/32 pipe	\$12.50
1/4 x 40 - 1/8 pipe	\$11.85
1/4 x 40 - 5/32 pipe	\$11.85
5/16 x 32 - 3/16 pipe	\$12.25
3/8 x 32 - 1/4 pipe	\$12.50

**PIPE ELBOWS 90 Degree – Olives and nuts included:**

1/8 pipe	\$30.25
3/16 pipe	\$31.50
5/32 pipe	\$25.00
1/4 pipe	\$32.00

Also available in 3/32 pipe

**PIPE TEE CONNECTORS – Olives and nuts included :**

1/8 pipe	\$34.00
3/32 pipe	\$35.00
3/16 pipe	\$36.00
5/32 pipe	\$30.00
1/4 pipe	\$40.00

**MACHINED CAST FITTINGS - Cast bronze model pipe fitting – MTP & UST Thread:**

MTP - Model Taper Pipe Thread

UST - Unified Straight Thread



<b>CROSS:</b>	3/16 or 1/4 x 40 female thread	\$18.50 each
<b>TEE:</b>	3/16 or 1/4 x 40 female thread	\$12.50 each
<b>ELBOWS - 90° BEND :</b>	3/16 or 1/4 x 40 female thread	\$11.60 each
<b>45° BEND :</b>	3/16 or 1/4 x 40 female thread	\$14.50 each
<b>90° STREET ELBOW :</b>	3/16 or 1/4 x 40, male - female thread	\$11.60 each
<b>MACHINED UNION :</b>	3/16 or 1/4 x 40 thread 5/16 x 27	\$23.75 each

**HAND PUMP :**

Tank mounted	Ø5/8 Ram - 1/4 pipe	\$229.00
Outside mounted	Ø5/16 Ram - 1/8 pipe	\$150.00
	Ø3/8 Ram - 5/32 pipe	\$168.55
	Ø1/2 Ram - 3/16 pipe	\$139.90
	Ø5/8 Ram - 1/4 pipe	\$154.50

**OIL SIGHT GLASS:**

3/4 O.D. x 1 inch	\$6.00 each
16mm x 20mm	\$6.00 each

**SAFETY VALVES :**

Safety valve	3/8 x 32 & 26 100 psi	\$95.00 each
	1/2 x 26 pop valve 100 psi	\$115.00 each
	5/8 x 26 pop valve 100 psi	\$135.00 each
	1/4 x 40 GI 0-60 psi	\$90.00 each

OTHER SIZES AVAILABLE - PLEASE CONTACT

**FUSIBLE PLUGS :**

3/8 x 32 TPI	\$31.00
1/2 x 26 TPI	\$45.40
5/8 x 26 TPI	\$36.00
3/8 BSPT	\$53.50
1/4 BSPT	\$53.50

**STEEL BOILER TREATMENT :**

Terlyn LSB 8000 Designed for miniature steel boilers	\$53.50 per 16oz bottle
--	-------------------------

**STEAM OIL :**

680 Grade	500mls	\$8.50
	1 liter	\$15.50

**TUBE BRUSH :**

Ø3/8 Bronze wire with handle 950mm long	\$35.00
Ø1/2 Bronze wire with handle 950mm long	\$35.00
Ø 3/4" Brass bristle with 1/4nc female thread	\$56.40
Ø 7/8" Brass or Stainless with 1/4nc male thread	\$56.40

**AMBSC BOILER RULES :**

AMBSC Code Part 1 Copper Issue 8 2012	\$35.00
AMBSC Code Part 2 Steel Issue 5 2012	\$35.00

## MACHINE AND HAND TOOLS AVAILABLE:

### **Ba TAPS:**

Ba 1, 3, 2, 4, 5 & 6 in Taper, Second or Bottom	\$19.05 each
Ba 7, 8 & 9 in Taper, Second or Bottom	\$21.75 each
Ba 10 " " "	\$28.30 each
Ba 12 " " "	\$50.60 each

### **Ba DIES:**

Ba 0,1,2,3,4,5,6,7,8,9 and 10	\$45.00 each
Ba 12	\$72.00 each

### **M.E. TAPS :**

5/32 x 32T	Taper, Second or Bottom	\$32.00 each
5/32 x 40T	" " "	\$32.00 each
3/16 x 32T	" " "	\$32.00 each
3/16 x 40T	" " "	\$36.20 each
7/32 x 32T	" " "	\$15.60 each
7/32 x 40T	" " "	\$31.40 each
1/4 x 32T	" " "	\$22.50 each
1/4 x 40T	" " "	\$22.50 each
9/32 x 32T	" " "	\$34.30 each
9/32 x 40T	" " "	\$34.30 each
5/16 x 32T	" " "	\$38.80 each
5/16 x 40T	" " "	\$30.00 each
3/8 x 32T	" " "	\$38.80each
3/8 x 40T	" " "	\$38.25 each
7/16 x 32T	" " "	\$21.00 each
7/16 x 40T	" " "	\$18.65 each
1/2 x 32T"	" " "	\$38.50 each
1/2 x 40T	" " "	\$38.50 each

### **M.E. DIES :**

5/32 x 32T	\$36.00 each
5/32 x 40T	\$36.00 each
3/16 x 32T	\$37.75 each
3/16 x 40T	\$37.75each
7/32 x 32T	\$48.00 each
7/32 x 40T	\$36.00 each
1/4 x 32T	\$37.75 each
1/4 x 40T	\$37.75 each
9/32 x 32T	\$48.00 each
9/32 x 40T	\$48.70 each
5/16 x 32T	\$55.00 each
5/16 x 40T	\$48.00 each
3/8 x 32T	\$36.00 each
3/8 x 40T	\$48.00 each
7/16 x 32T	\$48.00 each
7/16 x 40T	\$48.00 each
1/2 x 32T	\$48.00 each
1/2 x 40T	\$48.00 each

**BRASS TAPS :**

1/4 x 26	Taper,	Second,	or Bottom	\$30.70 each
5/16 x 26	"	"	"	\$38.00 each
3/8 x 26	"	"	"	\$34.85 each
7/16 x 26	"	"	"	\$35.75 each
1/2 x 26	"	"	"	\$35.75 each
9/16 x 26	"	"	"	\$48.80 each
5/8 x 26	"	"	"	\$52.80 each
3/4 x 26	"	"	"	\$94.00 each

**BRASS DIES :**

1/4 x 26	\$35.00 each
5/16 x 26	\$38.50 each
3/8 x 26	\$36.50 each
7/16 x 26	\$44.00 each
1/2 x 26	\$48.70 each
9/16 x 26	\$38.92 each
5/8 x 26	\$79.95 each

**Other taps and dies also available are on request:  
BS cycle, BSP, BSPT, BSW, BSF, UNC, UNF and Metric.**

**TUBING CUTTER :**

1/16 - 5/8" O.D. Tube, cuts copper, brass, thin wall tube	\$25.00 each
---	--------------

**TUBING BENDER :**

1/16 - 3/16" Copper/Brass tubing. Bending tube made easy	\$15.00 set
--	-------------

1/8, 3/16, 1/4 lever style action, bends from 40° to 90°

Use on copper and aluminium, brass, steel	\$75.25
---	---------

**SPANNERS – BA :**

Open ended spanners - 0 to 11 BA, in wallet	\$63.35 set
Box spanner set 2 to 12 BA, 11 box spanners in set	\$102.50 set

**TAP WRENCH :**

0 - 12 BA	\$26.50
-----------	---------

**DIE STOCK :**

TO SUIT	- Ø 5/8 OD	\$22.90
	- Ø 13/16 OD	\$35.80
	- Ø 1" OD	\$35.80



**DRILL SET HSS METRIC :**

1.0 - 6mm in .1mm steps \$175.00

**NUMBER DRILL SET :**

1# - 60# \$130.00

61# - 80# \$55.00

**IMPERIAL DRILL SET :**

1/16 - 1/2 inch in 1/64 steps \$175.00

**TAPER PIN REAMER:**

3/32 \$34.90

5/64 \$35.50

1/8 \$35.85

## MATERIALS AVAILABLE :

### **SILVER SOLDER:**

Silver solder with cadmium:	45% Ø0.8mm	\$10.65 per metre
	45% Ø1.6mm 750mm long	\$21.30 per stick
	45% Ø2.4mm 750mm long	\$34.50 per stick
Bridgit Solder :Ø3.2mm - 10% silver & tin. No Lead (Working temp 250°C to 305°C)		\$14.50/metre
	or	\$92.60 /0.45kg spool
Bridgit Flux :	4oz or 114 grams bottle with brush	\$44..50
Silver Solder Flux Paste :	Harris Eco High Heat - 250gm	\$59.20

<b>COPPER ROD :</b>	Minimum length is 300mm	
	Ø1/8	\$6.22 / 300mm
	Ø3/16	\$8.35 / 300mm
	Ø1/4	\$9.20 / 300mm
	Ø5/16	\$14.00 / 300mm
	Ø3/8	\$22.50 / 300mm

<b>COPPER SQUARE :</b>	Minimum length is 300mm	
	12mm x 12mm	\$29.93 / 300mm

<b>COPPER TUBE :</b>	Hard drawn, 0.015" wall thickness x 12" length	
	Ø1/16	\$7.95
	Ø3/32	\$7.50
	Ø1/8	\$8.95
	Ø5/32	\$5.10

<b>COPPER TUBE :</b>	Hard drawn, 0.015" wall thickness x 36" length	
	Ø5/32	\$16.80
	Ø3/16	\$18.60
	Ø7/32	\$22.50
	Ø1/4	\$22.50

<b>COPPER TUBE :</b>	22 swg or 0.7mm wall thickness / per meter length	
	Ø1/8	\$16.50
	Ø5/32	\$17.50
	Ø3/16	\$18.50
	Ø1/4	\$19.50
	Ø5/16	\$28.75

<b>COPPER TUBE :</b>	16 swg or 1.6mm wall thickness is available on request.	
	Ø1/4 x 16 swg	\$30.50 per 600mm
	Ø5/16 x 18 swg	\$40.40 per 600mm

**BRASS BAR FLAT:**

	Minimum length is 300mm	
1/2 x 3/16		\$21.70 / 300mm
1 x 1/8		\$26.00 / 300mm
1 x 1/4		\$29.20 / 300mm
1 x 3/8		\$33.00 / 300mm
1 - 1/4 x 1/8		\$22.50 / 300mm
1 - 1/2 x 1/8		\$30.00 / 300mm
2 x 1/8		\$45.00 / 300mm
3/4 x 1/8	limited supply of this size	\$55.00 @ 915mm long

**BRASS TUBE:**

	Thin wall, 12" length	
Ø1/8		\$5.10
Ø5/32		\$6.00
Ø3/16		\$6.70
Ø7/32		\$7.80
Ø1/4		\$8.75
Ø9/32		\$8.10
Ø7/16		\$10.00
Ø15/32		\$10.80
Ø1/2		\$11.00
Ø17/32		\$11.30
Ø9/16		\$11.60
Ø19/32		\$12.40

**BRASS SOLID ROUND:**

Ø3/64	\$1.15 / 300mm
Ø1/16	\$1.70 / 300mm
Ø3/32	\$4.70 / 300mm
Ø1/8	\$5.00 / 300mm
Ø5/32	\$6.60 / 300mm
Ø3/16	\$7.35 / 300mm
Ø1/4	\$7.80 / 300mm
Ø5/16	\$11.20 / 300mm
Ø3/8	\$12.40 / 300mm
Ø7/16	\$13.60 / 300mm
Ø1/2	\$17.80 / 300mm
Ø5/8	\$35.50 / 300mm
Ø3/4	\$49.80 / 300mm
Ø7/8	\$53.00 / 300mm
Ø1	\$55.20 / 300mm
Ø1 - 1/8	\$40.00 / 100mm
Ø1 - 1/4	\$45.00 / 100mm
Ø1 - 1/2	\$62.50 / 100mm

**BRASS EQUAL ANGLE:**

1/16 x 1/2 x 1/2	\$9.60 / 300mm
1/8 x 3/4 x 3/4	\$26.55 / 300mm
1/8 x 1 x 1	\$35.46 / 300mm

**BRASS HEX :**

		Minimum length is 300mm			
1/8	\$7.35	1/2	\$25.40		
5/32	\$7.55	9/16	\$28.20		
3/16	\$6.80	5/8	\$44.55		
1/4	\$7.60	3/4	\$56.35		
5/16	\$12.50	7/8	\$38.50		
3/8	\$15.50	1"	\$40.80		
7/16	\$17.50				

**BRASS SQUARE :**

		Minimum length is 300mm	
1/4 square		\$8.70 / 300mm	
5/16 square		\$12.45 / 300mm	
3/8 square		\$35.00 / 300mm	
1/2 square		\$39.00 / 300mm	
3/4 square		\$45.75 / 300mm	
		Minimum length is 100mm	
1" square		\$34.00 / 100mm	

**BRASS TUBE :**

		Thin wall, 36" length	
Ø1/8		\$11.00	
Ø3/16		\$14.00	

**BRASS SQUARE TUBE :**

		Thin wall, 12" Length	
1/8		\$9.20	
5/32		\$9.70	
3/16		\$9.85	
7/32		\$9.90	

**L.G. BRONZE ROUND :**

Ø1/2		\$27.30 / 100mm
Ø3/4		\$31.85 / 100mm
Ø1		\$48.30 / 100mm
Ø1 - 1/4		\$64.10 / 100mm
Ø1 - 1/2		\$78.00 / 100mm

**STEEL ROD :**

		36" Length	
Ø3/32		\$4.50	
Ø1/8		\$7.00	
Ø5/32		\$7.00	
Ø3/16		\$7.10	

**STAINLESS STEEL ROD :**

		12" length	
Ø3/32	\$6.50	Ø5/16	\$15.20
Ø1/8	\$7.00	Ø3/8	\$20.00
Ø3/16	\$9.60	Ø7/16	\$20.70
Ø1/4	\$11.50	Ø1/2	\$21.00

**BRASS UNION PIPE NUTS :**

Ø1/16 pipe - 3/16 x 40	\$15.30 per 10
Ø3/32 pipe - 3/16 x 40	\$15.30 per 10
Ø1/8 pipe - 1/4 x 40	\$16.75 per 10
Ø5/32 pipe - 1/4x 40	\$16.75 per 10
Ø3/16 pipe - 5/16 x 32	\$18.85 per 10
Ø7/32 pipe - 5/16 x 32	\$20.00 per 10
Ø1/4 pipe - 3/8 x 32	\$20.00 per 10
Ø5/16 pipe 1/2 x 26	\$4.50 each
Ø3/8 pipe - 9/16 x 26	\$8.74 each

**BRASS PIPE FERRULES :**

Ø1/16 pipe	\$10.50 per 10
Ø3/32 pipe	\$15.40 per 10
Ø1/8 pipe	\$15.40 per 10
Ø5/32 pipe	\$15.40 per 10
Ø3/16 pipe	\$15.45 per 10
Ø7/32 pipe	\$18.00 per 10
Ø1/4 pipe	\$17.00 per 10
Ø5/16 pipe	\$2.30 each
Ø3/8 pipe	\$2.59 each

**BRASS FLAT PIPE FERRULES : (for injectors)**

Ø5/32 pipe	\$2.55 each
Ø1/4 pipe	\$2.75 each

**STAINLESS STEEL BALLS 316 GRADE :**

Ø1/16	\$1.85 each	Ø9/32	\$5.60 each
Ø3/32	\$0.55 each	Ø5/16	\$3.65 each
Ø1/8	\$1.85 each	Ø11/32	\$5.60 each
Ø5/32	\$3.55each	Ø3/8	\$4.55 each
Ø3/16	\$0.95 each	Ø7/16	\$6.85 each
Ø7/32	\$0.95 each	Ø1/2	\$5.80 each
Ø1/4	\$1.85 each		

**BRONZE BALLS :**

Ø1/16	\$1.80 each	Ø5/32	\$2.50 each
Ø3/32	\$2.20 each	Ø3/16	\$3.50 each
Ø1/8	\$2.70 each	Ø7/32	\$2.80each

**TORLON BALLS :** Newly developed plastic ball which is designed for use in aggressive environments. Among its uses is as a check valve. These are made from a poly amide-imide material.

Ø5/32	\$2.75 each	Ø5/16	\$3.85 each
Ø3/16	\$2.90 each	Ø3/8	\$5.50 each
Ø1/4	\$3.15 each		

**RIVETS – IRON : Snap Head**

1/16 x 1/4	\$1.20 / 10
1/16 x 3/8	\$0.90 / 10
1/16 x 1/2	\$1.20 / 10
5/64 x 3/8	\$1.12 / 10
5/64 x 1/2	\$1.25 / 10
3/32 x 1/4	\$1.05 / 10
3/32 x 3/8	\$2.24 / 10
3/32 x 1/2	\$1.60 / 10
3/32 x 3/4	\$1.60 / 10
7/64 x 1/2	\$0.95 / 10
1/8 x 1/2	\$1.30 / 10
1/8 x 3/4	\$1.55 / 10
1/8 x 1"	\$1.85 / 10
5/32 x 1/4	\$3.18 / 10
5/32 x 3/4	\$4.95 / 10
3/16 x 1/2	\$2.95 / 10
3/16 x 3/4	\$4.15 / 10
3/16 x 1"	\$6.10 / 10
1/4 x 3/4	\$3.50 / 10
3/8 x 1"	\$13.72 / 10

**RIVETS – COPPER :**

1/16 x 1/4	\$1.30 / 10
1/16 x 3/8	\$1.30 / 10
1/16 x 1/2	\$1.75 / 10
3/32 x 3/8	\$1.80 / 10
3/32 x 1/2	\$2.75 / 10
3/32 x 3/4	\$3.75 / 10
1/8 x 1/4	\$3.90 / 10
1/8 x 3/8	\$4.20 / 10
1/8 x 1/2	\$4.30 / 10
1/8 x 3/4	\$4.60 / 10
1/8 x 1"	\$4.70 / 10
5/32 x 1"	\$9.65 / 10
3/16 x 1"	\$15.30 / 10

**BRASS RIVETS :**

1/32 x 1/4	\$1.40 / 10
3/64 x 1/4	\$1.15 / 10
3/64 x 3/8	\$1.20 / 10
1/16 x 1/4	\$1.10 / 10
1/16 x 3/8	\$1.20 / 10
1/16 x 1/2	\$1.26 / 10
1/8 x 1/2	\$4.80 / 10

**RIVET SNAPS :**

1/32	\$20.00 each
1/16	\$33.70 each
5/64	\$20.00 each
3/32	\$27.55 each
1/8	\$34.25 each
5/32	\$40.00 each
3/16	\$43.50 each
1/4	\$43.50 each

**Ba SCREWS : All Sold Minimum Amount of 10 - Unless marked otherwise**

**Steel Hex Head - per 10**

2Ba x 1/2 small head	\$6.34	7Ba x 3/8 small head	\$4.80
2Ba x 1	\$6.60	7Ba x 1/2	\$5.26
2Ba x 1 - 1/4	\$6.60	7Ba x 1/2 small head	\$5.30
3Ba x 3/4 zinc plated	\$3.00	7Ba x 3/4	\$4.85
4Ba x 3/8	\$5.30	7Ba x 1	\$5.50
4Ba x 1/2	\$5.55	8Ba x 1/4	\$4.95
4Ba x 1/2 small head	\$5.80	8Ba x 1/4 small head	\$5.50
4Ba x 3/4	\$5.00	8Ba x 5/16	\$4.70
4Ba x 1	\$5.55	8Ba x 3/8	\$4.65
4Ba x 1 - 1/8	\$5.60	8Ba x 3/8 small head	\$5.08
4Ba x 2	\$5.60	8Ba x 1/2 small head	\$5.44
5Ba x 1/2	\$5.60	8Ba x 1/2	\$4.60
5Ba x 1/2 small head	\$5.80	8Ba x 3/4	\$5.60
5Ba x 1	\$4.65	8Ba x 1	\$6.05
6Ba x 3/16	\$4.00	10Ba x 1/4	\$5.50
6Ba x 1/4	\$4.10	10Ba x 3/8	\$6.14
6Ba x 5/16	\$4.30	10Ba x 1/2	\$5.60
6Ba x 3/8	\$5.50	10Ba x 1/2 small hex	\$5.50
6Ba x 1/2	\$5.80	10Ba x 3/4	\$6.00
6Ba x 5/8	\$4.40	12Ba x 1/4	\$5.30
6Ba x 3/8 small head	\$5.70	12Ba x 3/8	\$3.28
6Ba x 3/4	\$3.00		
6Ba x 1/2 small head	\$6.10		
6Ba x 1	\$7.72		
6Ba x 1 1/2	\$7.20		

**Brass Hex Head - per 10**

2Ba x 1/2	\$4.60	8Ba x 3/8	\$4.85
2Ba x 5/8	\$7.15	8Ba x 1/2	\$5.50
2Ba x 1	\$4.80		
4Ba x 1/2	\$6.40	8Ba x 1	\$6.50
4Ba x 5/8	\$4.60	10Ba x 1/4	\$5.95
4Ba x 1	\$8.25	10Ba x 3/8	\$6.50
6Ba x 3/8	\$7.30	10Ba x 1/2	\$6.70
6Ba x 1/2	\$5.75	10Ba x 3/4	\$5.70
7Ba x 1 one size smaller hex	\$7.15	12Ba x 3/8	\$8.45
		12Ba x 1/2	\$8.75

### Steel Slotted Roundhead - per 10

2Ba x 1	\$5.45	7Ba x 3/4	\$3.50
4Ba x 1/2	\$4.35	8Ba x 1/4	\$3.80
4Ba x 3/4	\$4.60	8Ba x 1/2	\$4.20
4Ba x 1	\$5.95	8Ba x 1	\$4.75
5Ba x 1/2	\$3.40	9Ba x 1	\$6.35
5Ba x 1	\$4.45	10Ba x 1/2	\$5.35
6Ba x 3/16	\$6.40	10Ba x 5/8	\$7.20
6Ba x 1/4	\$4.10		
6Ba x 1/2	\$4.10		
6 Ba x 3/4	\$4.15		
6Ba x 1	\$4.35		

### Brass Slotted Roundhead - per 10

2Ba x 1 - 1/2	\$6.65	8Ba x 1/8	\$2.40
4Ba x 1/2	\$4.35	8Ba x 1/4	\$4.20
4Ba x 3/4	\$4.10	8Ba x 1/2	\$4.40
5Ba x 1/4	\$2.75	8Ba x 3/4	\$6.80
6Ba x 1/4	\$3.45	8Ba x 1 - 1/8	\$9.85
6Ba x 1/2	\$3.95	10Ba x 1/4	\$5.20
6Ba x 1	\$4.85	10Ba x 3/8	\$5.60
7Ba x 2	\$7.30	10Ba x 1/2	\$5.60
		10Ba x 3/4	\$5.80
		12 Ba x 1/4	\$5.30
		14Ba x 1/4	\$6.80

### Steel Slotted Countersunk - per10

1Ba x 3/4	\$6.45	8Ba x 1/2	\$4.35
2Ba x 1/2	\$4.75	10Ba x 1/4	\$4.30
2Ba x 3/4	\$3.20	10Ba x 1/2	\$4.95
2Ba x 1	\$5.45	12Ba x 1/4	\$4.60
3Ba x 5/8	\$4.55		
4Ba x 3/8	\$4.95		
4Ba x 1/2	\$3.00		
5Ba x 1/2	\$3.45		
6Ba x 1	\$4.25		

### Brass Slotted Countersunk - per 10

2Ba x 1/2	\$6.85	10Ba x 1/4	\$4.95
4Ba x 1/2	\$4.45	10Ba x 5/16	\$4.10
4Ba x 1	\$6.50	10Ba x 1/2	\$4.50
5Ba x 1/2	\$5.05	10Ba x 5/8	\$4.80
5Ba x 5/8	\$3.15	10Ba x 3/4	\$6.45
5Ba x 3/4	\$3.48	10Ba x 1	\$7.50
6Ba x 1/2	\$3.50	12Ba x 1/2	\$6.85
6Ba x 1 - 3/8	\$5.20	12Ba x 3/8	\$7.20
6Ba x 1 - 1/2	\$6.00		
7Ba x 1/4	\$4.20		
8Ba x 1/4	\$4.45		
8Ba x 1/2	\$4.60		
8Ba x 3/4	\$5.15		
8Ba x 1	\$5.25		



**Steel Cheesehead - per 10**

2Ba x 1/4	\$3.00	8Ba x 1/4	\$5.80
2Ba x 1/2	\$3.60	8Ba x 1/2	\$6.50
2Ba x 1	\$4.00	8Ba x 1	\$5.70
4Ba x 1/4	\$3.00	8Ba x 1 - 3/16	\$5.95
4Ba x 2	\$6.35	10Ba x 1/4	\$5.30
5Ba x 1/2	\$5.60	10Ba x 3/8	\$5.75
<del>5Ba x 1</del>	<del>\$5.50</del>	10Ba x 1/2	\$5.30
5Ba x 1 - 1/4	\$6.85		
6Ba x 1/2	\$4.20	10Ba x 5/8	\$5.55
6Ba x 1	\$4.50	10Ba x 3/4	\$5.80
6Ba x 1 - 3/4	\$7.00	10Ba x 1	\$6.45
7Ba x 3/8	\$3.85	12Ba x 1/4	\$6.25
7Ba x 5/8	\$3.45	12Ba x 1/2	\$5.85

**Brass Cheesehead - per 10**

2Ba x 3/8	\$4.40	9Ba x 1/2	\$7.20
4Ba x 1/2	\$4.90	9Ba x 3/4	\$9.15
4Ba x 5/8	\$4.40	10Ba x 1/4	\$5.30
4Ba x 3/4	\$4.50	10Ba x 1/2	\$4.70
4Ba x 1	\$6.95	10Ba x 1	\$10.30
6Ba x 3/8	\$5.50		
6Ba x 1/2	\$5.80	12Ba x 3/8	\$7.10
6Ba x 1	\$4.95	14Ba x 1/4	\$11.10
8Ba x 3/8	\$3.00	14Ba x 1/2	\$9.10
8Ba x 1/2	\$4.75		
8Ba x 1	\$4.85		

**Steel Socket Cap - per 10**

2Ba x 7/16	\$10.75	6Ba x 1/4	\$9.25
2Ba x 1/2	\$8.25	8Ba x 3/8	\$8.50
2Ba x 5/8	\$9.75	8Ba x 1/2	\$8.60
2Ba x 1	\$13.80		
4Ba x 1/2	\$9.50		
4Ba x 3/4	\$9.50		

**Steel Grub Screws - per 10**

2Ba x 1/2	\$18.50	6Ba x 1/4	\$10.00
2Bax 1	\$20.30	6Ba x 3/8	\$20.95
4Ba x 1/4	\$16.40	6Ba x 1/2	\$13.50
4Ba x 3/8	\$14.00		

**Steel Socket Countersunk - per EACH**

4Ba x 5/16	1/16 Key	\$1.47	4Ba x 1/2	1/16 Key	\$1.47
------------	----------	--------	-----------	----------	--------

**Stainless Steel Caphead - per EACH**

2Ba x 1 1/4	\$2.15	4Ba x 5/8	\$2.80
-------------	--------	-----------	--------

**Stainless Countersunk - per EACH**

2Ba x 1/2	\$2.00	4Ba x 3/8	\$1.70
		4Ba x 1/2	\$1.80

### Stainless Steel Roundhead - Per EACH

8Ba x 1 \$3.00

### Stainless Steel CheeseHead - Per EACH

4Ba x 1/2 \$1.70 8Ba x 5/8 \$1.80  
6Ba x 3/8 \$1.80 10Ba x 19/32 \$1.80

### Brass Roundhead No Slot - per 10

6Ba x 1/2 \$7.80 8Ba x 1/2 \$4.40

### Steel Hex Nuts - per 10

0Ba	\$2.85	6Ba	\$2.30
1Ba	\$10.40	7Ba	\$3.05
2Ba	\$3.00	8Ba	\$3.15
3Ba	\$3.50	9Ba	\$5.50
4Ba	\$2.45	10Ba	\$4.25
5Ba	\$3.25	12Ba	\$3.15

### Brass Hex Nuts - per 10

2Ba	\$3.60	8Ba	\$3.70
3Ba	\$3.00	9Ba	\$5.25
4Ba	\$2.85	10Ba	\$2.50
5Ba	\$2.85	12Ba	\$3.50
6Ba	\$2.85	14Ba	\$6.10
7Ba	\$2.75		

### Steel Small Hex Nuts

#### One Size Smaller A/F - Per 10

2Ba	\$5.20	6Ba	\$5.50
4Ba	\$5.30	7Ba	\$6.50
5Ba	\$5.40		

### Hex Head Nuts

#### A2 Stainless Steel - Per EACH

3Ba	\$1.60	6Ba	\$0.55
4Ba	\$1.00	8Ba	\$1.40

### Hex Head Screws

#### A2 Stainless Steel - Per EACH

- Hex maybe one size smaller on some sizes -

2Ba x 5/16	\$3.30	5Ba x 1/2	\$2.70
2Ba x 1	\$4.40	6Ba x 1/2	\$2.70
2Ba x 1 1/4	\$4.85	6Ba x 3/4	\$2.85
4Ba x 3/8	\$2.20	8Ba x 1/2	\$1.80
4Ba x 5/8	\$2.50		
4Ba x 3/4	\$2.65		
4Ba x 1"	\$1.70		

### Stainless Steel Washers - per 10

2Ba	\$1.85	5Ba	\$2.45
3Ba	\$0.80	6Ba	\$2.00
4Ba	\$3.40	8Ba	\$2.55
		10Ba	\$2.60

### Steel Washers - per 10

0Ba	\$1.55	6Ba	\$1.50
2Ba	\$1.75	7Ba	\$1.50
3BA	\$1.50	8Ba	\$1.75
4Ba	\$1.50	9Ba	\$1.75
5Ba	\$1.50	10Ba	\$1.75
		12Ba	\$2.30

### Copper Washers -per 10

1/8	\$3.00	5/32	\$3.80
7/16	\$5.80	6mm	\$4.80

### Brass Washers -per 10

4Ba	\$1.50	8Ba	\$1.60
5Ba	\$1.50	9Ba	\$1.65
6Ba	\$1.60	10Ba	\$1.80
7Ba	\$1.50	12Ba	\$2.85

### Studding - Threaded Rod 12" Lengths

2Ba Steel	\$14.50
2Ba Brass	\$11.00
3Ba Steel	\$12.55
3Ba Brass	\$16.00
4Ba Steel	\$11.20
4Ba Brass	\$15.20
5Ba Steel	\$14.50
5Ba Brass	\$13.80
6Ba Steel	\$15.20
6Ba Brass	\$19.00
7Ba Steel	\$28.60
7Ba Brass	\$20.80
8Ba Steel	\$26.40
8Ba Brass	\$21.40

### Engineer's Studs - Threaded both ends

4Ba x 1"	\$2.00 each
5Ba x 1"	\$2.00 each
6Ba x 1"	\$2.00 each

### Split Pins - Steel - per 10

1/32 x 3/8	\$1.75	1/16 x 1/2	\$1.70
1/32 x 1/2	\$2.00	1/16 x 3/4	\$1.70
1/32 x 3/4	\$1.80	1/16 x 1"	\$2.80
3/64 x 1"	\$1.50		

### Split Pins - Stainless Steel - per 10

<del>1/32 x 3/8</del>	<del>\$3.80</del>	1/16 x 3/4	\$5.60
1/32 x 1/2	\$3.70	1/16 x 5/8	\$4.70
3/64 x 1/2	\$4.40	5/64 x 1/2	\$4.50
3/64 x 1"	\$6.15	5/32 x 1	\$0.90 each
3/32 x 3/8	\$2.90		

### Solid Taper Pins - Steel -Each

1/16 x 1/2	\$0.60	1/8 x 1/2	\$0.90
1/16 x 3/4	\$0.80	1/8 x 3/4	\$1.60
1/16 x 1"	\$2.25	1/8 x 1"	\$1.60
5/64 x 1/2	\$0.60	1/8 x 1"1/2	\$1.80
5/64 x 3/4	\$1.50		
5/64 x 1"	\$1.65		
3/32 x 3/4	\$1.45		
3/32 x 7/8	\$1.50		
3/32 x 1"	\$3.20		

# QUAYLE MODEL STEAM ENGINE KITSETS

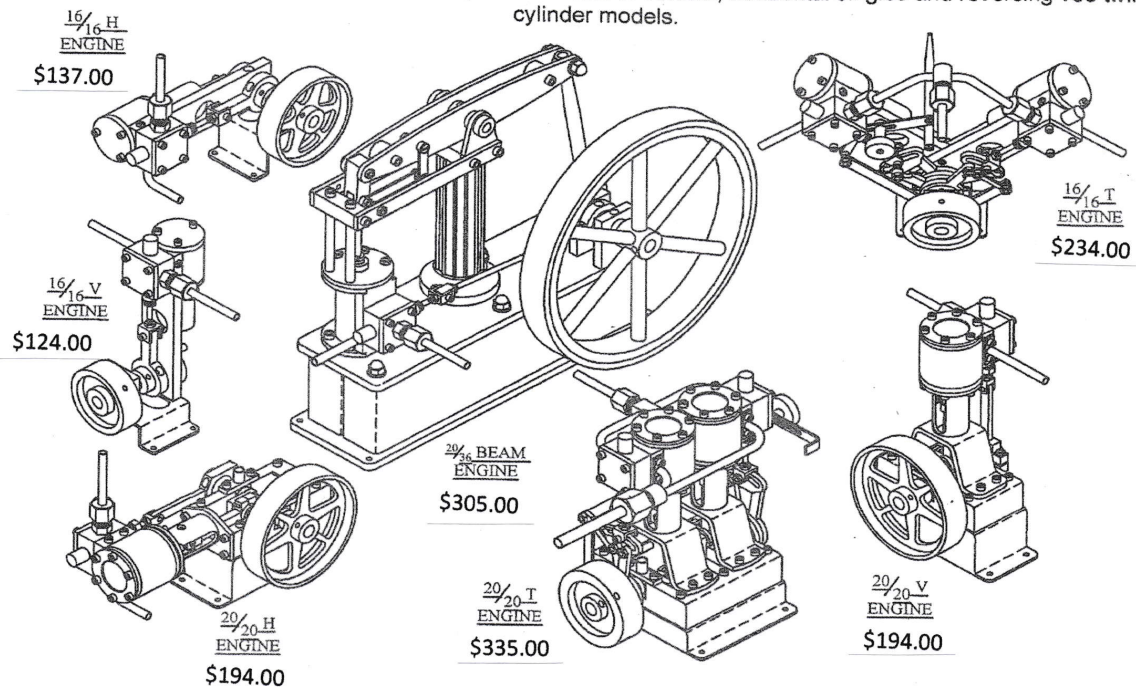
## Easy to build model steam engines

These model steam engines are made from standard materials which are readily available. But, because of the small quantities of materials used it's not economical for the individual to purchase them. The kitsets come complete with all the materials, screws, nuts, drawings, exploded parts drawing, (drawings are full size easy to read computer drawings), comprehensive instructions, list of materials to make the engines. The twins are twin simple engines ideal for radio controlled model boats as they will self start from stop.

### \*16/16 Series\*

Sizes: Bore 16mm Stroke 16mm

These steam engines have been designed for the modeller who wishes to tackle a project that is not too difficult. The single cylinder engines are ideal starter models that work just like the big engines. They are double acting with slide valve to control the steam. They are available in vertical, horizontal singles and reversing vee twin cylinder models.



### \*20/20 Series\*

Sizes: Bore 20mm Stroke 20mm

These are traditionally styled models of slide valve steam engines with cylindrical trunk guides. They can be made on a small metal lathe with a vertical slide for milling. The kitsets are available in single cylinder vertical, horizontal and reversing twin cylinder engines.

### \*20/36 Beam Engine\*

Sizes: Bore 20mm Stroke 36mm

This Beam Engine is representative of this early type of steam engine. It is fitted with Watt linkage, to guide the piston rod. It can be made on a 3 1/2" centre height lathe. There is scope for the modeller to customise this engine, for example the base could be bricked with model bricks.

**G.P. Quayle  
Design**

**MBM Model Supplies**

mbmmodelsupplies@gmail.com

Ph 0274 420 130